



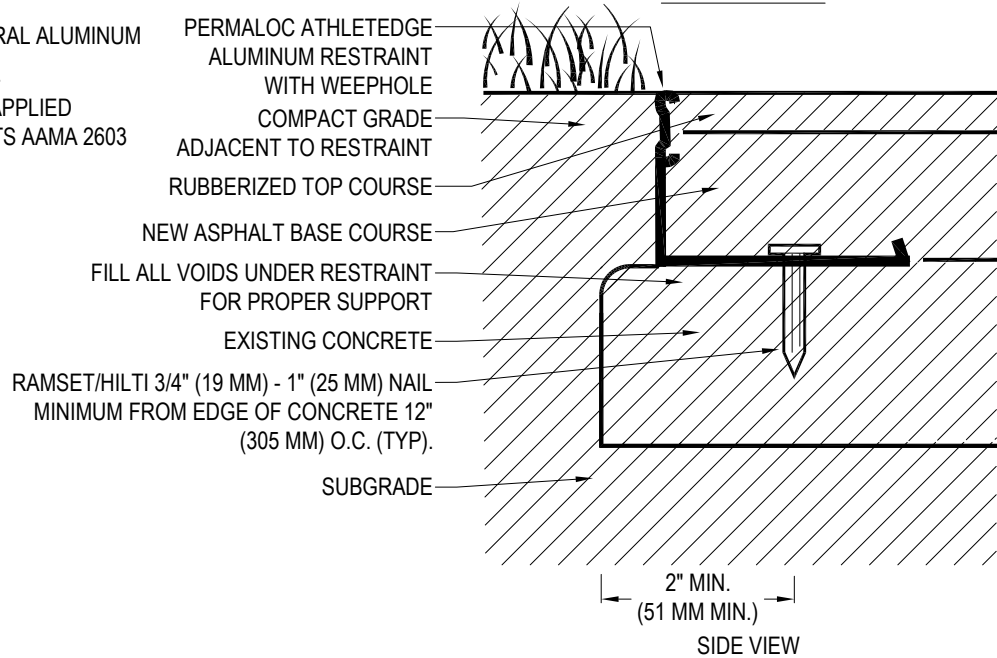
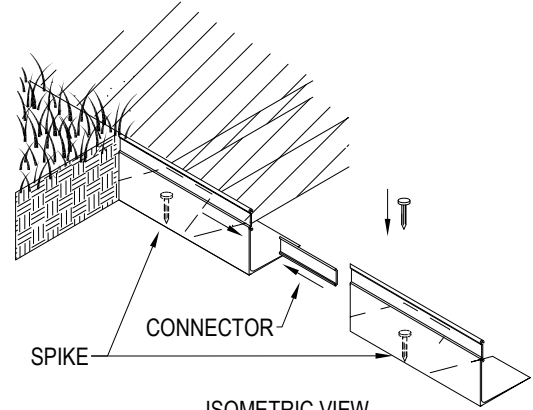
PERMALOC CORPORATION
 13505 BARRY ST
 HOLLAND, MI 49424
 TOLL FREE: 1-800-356-9660
 PHONE: (616) 399-9600
 FAX: (616) 399-9770
 www.permaloc.com

SELECT DESIRED SIZE (IN 8' (2.44 M) LENGTHS WITH .21" (5.33 MM) THICK EXPOSED TOP LIP):

- 1.5" X 2.25" (38 MM X 57 MM)
- 2" X 2.25" (51 MM X 57 MM)
- 2.5" X 2.25" (64 MM X 57 MM)
- 3" X 3" (76 MM X 76 MM)
- 4" X 3" (102 MM X 76 MM)
- 5" X 3" (127 MM X 76 MM)
- 6" X 3" (154 MM X 76 MM)

SELECT DESIRED FINISH:

- MF - MILL FINISH-NATURAL ALUMINUM
- BL - BLACK DURAFLEX - ELECTROSTATICALLY APPLIED BAKED ON PAINT, MEETS AAMA 2603

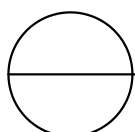


NOTES:

1. 8'-0" (2.44 M) SECTIONS CONNECTED WITH 4" (102 MM) SLIDING CONNECTOR.
2. MAINTAIN 3/8" (9.5 MM) GAP BETWEEN SECTIONS TO ALLOW FOR PRODUCT EXPANSION IN EXTREME TEMPERATURES.
3. CORNERS: NOTCH BASE ONLY AND FORM A CONTINUOUS CORNER.
4. PERMALOC ATHLEEDGE AS MANUFACTURED BY PERMALOC CORPORATION.

NOTES:

1. INSTALLATION TO BE COMPLETED IN ACCORDANCE WITH MANUFACTURER'S SPECIFICATIONS.
2. DO NOT SCALE DRAWING.
3. THIS DRAWING IS INTENDED FOR USE BY ARCHITECTS, ENGINEERS, CONTRACTORS, CONSULTANTS AND DESIGN PROFESSIONALS FOR PLANNING PURPOSES ONLY. THIS DRAWING MAY NOT BE USED FOR CONSTRUCTION.
4. ALL INFORMATION CONTAINED HEREIN WAS CURRENT AT THE TIME OF DEVELOPMENT BUT MUST BE REVIEWED AND APPROVED BY THE PRODUCT MANUFACTURER TO BE CONSIDERED ACCURATE.
5. CONTRACTOR'S NOTE: FOR PRODUCT AND COMPANY INFORMATION VISIT www.CADdetails.com/info AND ENTER REFERENCE NUMBER 006-066



ATHLEEDGE ALUMINUM ATHLETIC SURFACE RESTRAINT

ATHLETIC SURFACE - RESTRAINING ATHLETIC SURFACE AND ASPHALT OVER EXISTING CONCRETE BASE
 CAD FILES AT-3