



permaloc[®]

WORLD'S BEST LANDSCAPE EDGING

AsphaltEdge™

RECOMMENDED ANCHORING GUIDELINES:

Over Aggregate	3/8" x 10" Spiral Steel Spike	4" - 12" on center (10cm - 30.5cm)
Over Existing Asphalt	Spike or Powder Actuated Tool	4" - 12" on center (10cm - 30.5cm)
Over Concrete	Powder Actuated Tool	4" - 12" on center (10cm - 30.5cm)

TYPICAL INSTALLATION:

- 1.) Prepare the subbase and aggregate base course. The base must be properly compacted and extend 6" to 12" beyond the edge of the pavement installation. The base immediately beneath the restraint must be consistent or "level". **(Diagram A)**
- 2.) **IMPORTANT: A 3/8" gap must be left between sections** during installation to allow for the aluminum to expand when heated by hot-mix asphalt. **(Diagram B)**
- 3.) Set and anchor AsphaltEdge according to recommended anchoring guidelines shown above. **Anchor the ends of each section.** For added stability, use additional spikes.
- 4.) Corners should be made by bending a single section to form the angle. Additional cutting of the base may be required for tight angles. **(Diagram C)**
- 5.) Avoid excess asphalt temperatures to minimize aluminum expansion.
- 6.) Lay asphalt adjacent to and approximately 1/2" over the top of the AsphaltEdge (depending on expected compaction results).
- 7.) Compact the first pass with the desired equipment approximately 6" to 12" in from the AsphaltEdge. Subsequent passes may be directly against or over the edge to ensure complete compaction of asphalt.
- 8.) Following completion of the asphalt installation, backfill and compact adjacent topsoil to within 1/2" of the top of the restraint.

FOR USE WITH PAVERS: Please refer to StructurEdge Typical Installation.

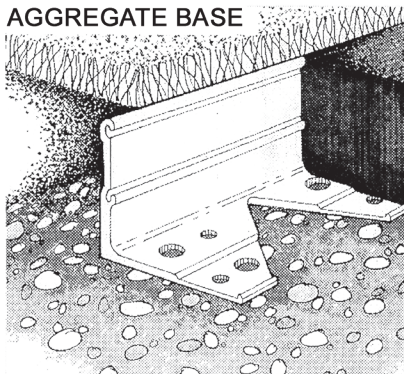


DIAGRAM A

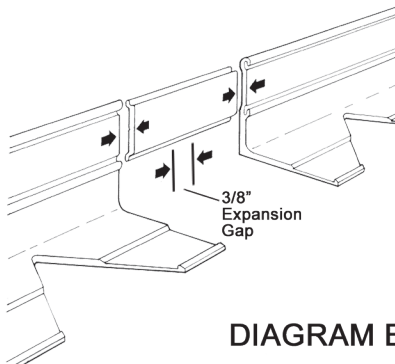


DIAGRAM B

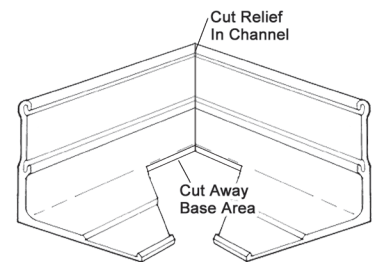


DIAGRAM C

For more information, call 800.356.9660.



**GENERAL WARRANTY INFORMATION
DISCLAIMER/LIMITATION OF REMEDIES AND LIABILITY**

This warranty/disclaimer/limitation of remedies and liability applies to the edging and restraint products ("Product") manufactured and sold by Permaloc under the trade names AsphaltEdge, Athleledge, BrickBlock, CleanLine, CleanLine XL, DesignEdge, GeoEdge, PermaStrip, ProLine, ProSlide, ProSlide LT, StructurEdge, Profile and YardEdge. No person representing, or purporting to represent, Permaloc shall be entitled to waive or vary the terms set for therein, and any attempt to do so shall be void and of no effect.

WARRANTY

All Product comes with a warranty against manufacturer defect or failure for a period of fifteen years from the date of purchase. This warranty covers replacement or repair of the product upon manufacturer's acknowledgment of defect. This warranty does not cover miscellaneous expenses for removal, installation or down time, nor does it cover material, labor, or additional parts required for replacement or repair of damages caused by abuse (including fire or wreckage), misuse, neglect, or failure to follow manufacturer's installation instructions.

DISCLAIMER

PERMALOC MAKES NO WARRANTIES, EXPRESS OR IMPLIED, INCLUDING, BUT NOT LIMITED TO, ANY IMPLIED WARRANTY OF MERCHANTABILITY OR FITNESS FOR A PARTICULAR PURPOSE. User is responsible for determining whether the Product is fit for a particular purpose and suitable for user's method of application.

LIMITATION OF REMEDIES AND LIABILITY

If the Product is proved to be defective, THE EXCLUSIVE REMEDY, AT PERMALOC'S OPTION, SHALL BE TO REFUND THE PURCHASE PRICE OF OR TO REPAIR OR REPLACE THE DEFECTIVE PRODUCT. Permaloc shall not otherwise be liable for any loss or damages, whether direct, indirect, special, incidental, or consequential, regardless of the legal theory asserted, including negligence, warranty, or strict liability. If Permaloc shall elect to repair or replace the defective Product, or refund the purchase price, such election shall not be deemed an admission of liability. Any lawsuit or other legal action against Permaloc with regard to the Product must be brought in Ottawa County, Michigan, and Michigan law shall apply to all proceedings.

address:13505 Barry Street Holland, MI 49424

toll free:800.356.9660 **p:**616.399.9600 **f:**616.399.9770

web:www.permaloc.com