



PERMALOC  
**ASPHALTEDGE**  
ALUMINUM ASPHALT RESTRAINT

PERMALOC ALUMINUM EDGING, 13505 BARRY STREET HOLLAND, MI, 49424  
(800) 356-9660 PHONE: (616) 399-9600 fax: (616) 399-9770 WWW.PERMALOC.COM

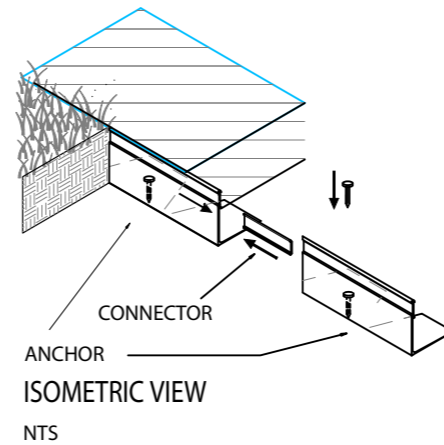
ARCHITECT NOTE: CHECK OFF APPLICABLE SIZE & FINISH DESIRED

SIZE: ALL 8' (2.44 M) LENGTHS w/ 0.210" (5.33 MM) THICK EXPOSED TOP LIP

- |                                                       |                                                         |
|-------------------------------------------------------|---------------------------------------------------------|
| <input type="checkbox"/> 1" X 2.25" (25 MM X 57 MM)   | <input type="checkbox"/> MF <input type="checkbox"/> BL |
| <input type="checkbox"/> 1.5" X 2.25" (38 MM X 57 MM) | <input type="checkbox"/> MF <input type="checkbox"/> BL |
| <input type="checkbox"/> 2" X 2.25" (51 MM X 57 MM)   | <input type="checkbox"/> MF <input type="checkbox"/> BL |
| <input type="checkbox"/> 2.5" X 2.25" (64 MM X 57 MM) | <input type="checkbox"/> MF <input type="checkbox"/> BL |
| <input type="checkbox"/> 3" X 3" (76 MM X 76 MM)      | <input type="checkbox"/> MF <input type="checkbox"/> BL |
| <input type="checkbox"/> 4" X 3" (102 MM X 76 MM)     | <input type="checkbox"/> MF <input type="checkbox"/> BL |

**FINISH LEGEND:**

(MF) MILL FINISH-NATURAL ALUMINUM  
(BL) BLACK DURAFLEX-ELECTROSTATICALLY APPLIED BAKED ON PAINT, MEETS AAMA 2603



**NOTES:**

1. INSTALLATION PER MANUFACTURER'S "INSTALLATION GUIDELINES"
2. 8'-0" (2.44 M) SECTIONS CONNECTED WITH 4" (102 MM) SLIDING CONNECTOR.
3. MAINTAIN 3/8" (9.5 MM) GAP BETWEEN SECTIONS TO ALLOW FOR PRODUCT EXPANSION IN EXTREME TEMPERATURES.
4. CORNERS: NOTCH BASE ONLY AND FORM A CONTINUOUS CORNER.
5. PERMALOC ASPHALTEDGE AS MANUFACTURED BY PERMALOC CORPORATION, HOLLAND MI. (800) 356-9660, (616) 399-9600
6. CONTRACTOR'S NOTE: FOR PRODUCT AND PURCHASING INFORMATION VISIT:WWW.PERMALOC.COM

PERMALOC ASPHALTEDGE ALUMINUM RESTRAINT

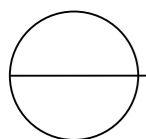
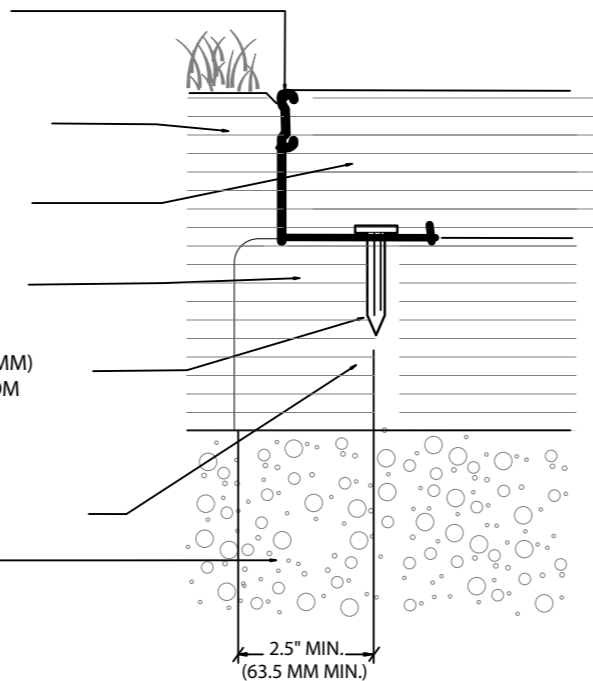
COMPACT GRADE ADJACENT TO RESTRAINT

SINGLE COURSE ASPHALT

FILL IN ALL VOIDS UNDER RESTRAINT FOR PROPER SUPPORT.  
RAMSET/HILTI 3/4"-1" (19MM - 25MM) NAIL MINIMUM 2.5" (63.5MM) FROM EDGE OF CONCRETE, 12" (305MM) O.C. (TYP).

CONCRETE (NEW OR EXISTING)

SUBGRADE



**SINGLE COURSE ASPHALT AND RESTRAINT OVER CONCRETE**

SCALE: 3"=1'-0"