



PERMALOC
ASPHALTEGE
ALUMINUM ASPHALT RESTRAINT

PERMALOC ALUMINUM EDGING, 13505 BARRY STREET HOLLAND, MI, 49424
(800) 356-9660 PHONE: (616) 399-9600 fax: (616) 399-9770 WWW.PERMALOC.COM

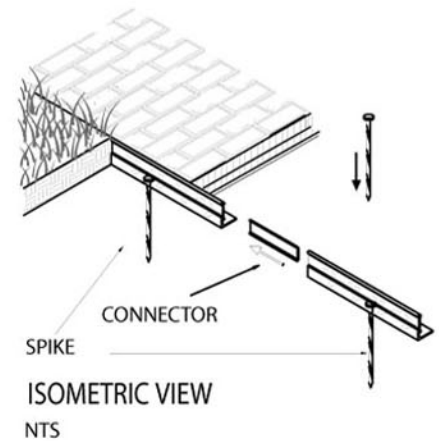
ARCHITECT NOTE: CHECK OFF APPLICABLE SIZE & FINISH DESIRED

SIZE: ALL 8' (2.44 M) LENGTHS w/ 0.210" (5.33 MM) THICK EXPOSED TOP LIP

<input type="checkbox"/> 1.5" X 2.25" (38 MM X 57 MM)	<input type="checkbox"/> MF	<input type="checkbox"/> BL
<input type="checkbox"/> 2" X 2.25" (51 MM X 57 MM)	<input type="checkbox"/> MF	<input type="checkbox"/> BL
<input type="checkbox"/> 2.5" X 2.25" (64 MM X 57 MM)	<input type="checkbox"/> MF	<input type="checkbox"/> BL
<input type="checkbox"/> 3" X 3" (76 MM X 76 MM)	<input type="checkbox"/> MF	<input type="checkbox"/> BL
<input type="checkbox"/> 4" X 3" (102 MM X 76 MM)	<input type="checkbox"/> MF	<input type="checkbox"/> BL

FINISH LEGEND:

(MF) MILL FINISH-NATURAL ALUMINUM
(BL) BLACK DURAFLEX-ELECTROSTATICALLY
APPLIED BAKED ON PAINT, MEETS AAMA 2603



NOTES:

1. INSTALLATION PER MANUFACTURER'S "INSTALLATION GUIDELINES"
2. 8'-0" (2.44 M) SECTIONS CONNECTED WITH 4" (102 MM) SLIDING CONNECTOR.
3. CORNERS: NOTCH BASE ONLY AND FORM A CONTINUOUS CORNER.
4. PERMALOC ASPHALTEGE AS MANUFACTURED BY PERMALOC CORPORATION, HOLLAND MI. (800) 356-9660, (616) 399-9600
5. CONTRACTOR'S NOTE: FOR PRODUCT AND PURCHASING INFORMATION VISIT: WWW.PERMALOC.COM

PERMALOC ASPHALTEGE ALUMINUM RESTRAINT

COMPACT GRADE ADJACENT TO RESTRAINT

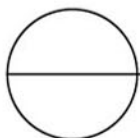
PAVER & SETTING COURSE

FILL ALL VOIDS UNDER RESTRAINT FOR PROPER SUPPORT

ASPHALT BASE (NEW OR EXISTING)

COMPACT BASE

SOFTER/THINNER ASPHALT: 3/8" X 10" (9.5MM x 254MM) SPIRAL STEEL SPIKE OR HARDER/THICKER ASPHALT: HILTI WITH 1 1/2"-2 1/2" (38MM-64MM) NAIL 12" (305 MM) O.C. (TYP).



EDGING FOR PAVERS OVER ASPHALT BASE

SCALE: 3"=1'-0"