



**PERMALOC**  
**ATHLETEEDGE**  
L-SHAPED ALUMINUM ATHLETIC SURFACE RESTRAINT

PERMALOC CORPORATION EDGING, 13505 BARRY STREET HOLLAND, MI, 49424  
(800) 356-9660 PHONE: (616) 399-9600 fax: (616) 399-9770 WWW.PERMALOC.COM

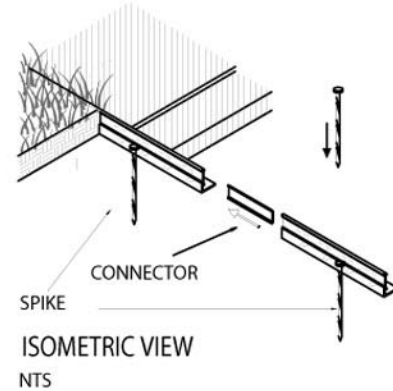
ARCHITECT NOTE: CHECK OFF APPLICABLE SIZE & FINISH DESIRED

SIZE: 8' LENGTHS (2.44 M) LENGTHS w/ 0.210" (5.33 MM)  
THICK EXPOSED TOP LIP

<input type="checkbox"/>	1.5"	X 2.25"	(38 MM	X 57 MM)	<input type="checkbox"/>	MF	<input type="checkbox"/>	BL
<input type="checkbox"/>	2"	X 2.25"	(51 MM	X 57 MM)	<input type="checkbox"/>	MF	<input type="checkbox"/>	BL
<input type="checkbox"/>	2.5"	X 2.25"	(64 MM	X 57 MM)	<input type="checkbox"/>	MF	<input type="checkbox"/>	BL
<input type="checkbox"/>	3"	X 3"	(76 MM	X 76 MM)	<input type="checkbox"/>	MF	<input type="checkbox"/>	BL
<input type="checkbox"/>	4"	X 3"	(102 MM	X 76 MM)	<input type="checkbox"/>	MF	<input type="checkbox"/>	BL

**FINISH LEGEND:**

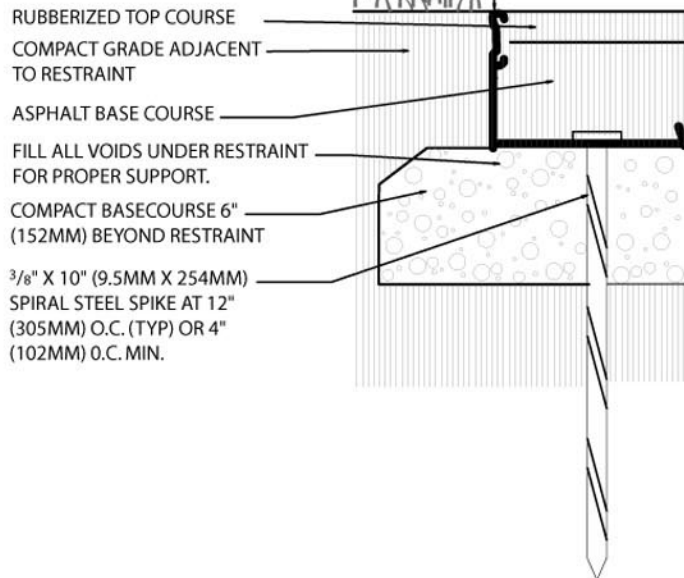
(MF) MILL FINISH-NATURAL ALUMINUM  
(BL) BLACK DURAFLEX-ELECTROSTATICALLY APPLIED BAKED ON PAINT  
MEET AAMA 2603



**NOTES:**

1. INSTALLATION PER MANUFACTURER'S "INSTALLATION GUIDELINES"
2. 8'-0" (2.44 M) SECTIONS CONNECTED WITH 4" (102 MM) SLIDING CONNECTOR.
3. MAINTAIN 3/8" (9.5 MM) GAP BETWEEN SECTIONS TO ALLOW FOR PRODUCT EXPANSION IN EXTREME TEMPERATURES.
4. CORNERS: NOTCH BASE ONLY AND FORM A CONTINUOUS CORNER.
5. PERMALOC ATHLETEEDGE AS MANUFACTURED BY PERMALOC CORPORATION, HOLLAND MI. (800) 356-9660, (616) 399-9600
6. CONTRACTOR'S NOTE: FOR PRODUCT AND PURCHASING INFORMATION VISIT: WWW.PERMALOC.COM

PERMALOC ATHLETEEDGE ALUMINUM RESTRAINT W/ WEEPHOLE



**ATHLETIC SURFACE, NEW ASPHALT,  
AND RESTRAINT OVER COMPACTED BASE**

SCALE: 3"=1'-0"

