



PERMALOC
STRUCTUREEDGE
ALUMINUM PAVER RESTRAINT

PERMALOC CORPORATION, 13505 BARRY STREET HOLLAND, MI, 49424
(800) 356-9660 PHONE: (616) 399-9600 fax: (616) 399-9770 WWW.PERMALOC.COM

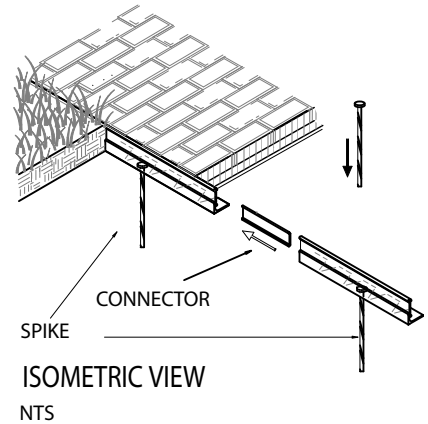
ARCHITECT NOTE: CHECK OFF APPLICABLE SIZE & FINISH DESIRED:

SIZE: IN 8' (2.44M) LENGTHS

- 3/32" X 1 5/8" (2.4MM X 41MM)
w/ 0.170" (4.32MM) TOP LIP MF BL
- 1/8" X 1 5/8" (3.2MM X 41MM)
w/ 0.190" (4.83MM) TOP LIP MF BL
- 3/16" X 1 5/8" (4.8MM X 41MM)
w/ 0.210" (5.33MM) TOP LIP MF BL
- 1/8" X 2 1/4" (3.2MM X 57MM)
w/ 0.190" (4.83MM) TOP LIP MF BL
- 3/16" X 2 1/4" (4.8MM X 57MM)
w/ 0.210" (5.33MM) TOP LIP MF BL

FINISH LEGEND:

(MF) MILL FINISH-NATURAL ALUMINUM
(BL) BLACK DURAFLEX-ELECTROSTATICALLY
APPLIED BAKED ON PAINT MEETS AAMA 2603



NOTES:

1. INSTALL PER MANUFACTURER'S "INSTALLATION GUIDELINES"
2. CONNECTION BETWEEN SECTIONS TO UTILIZE MANUFACTURER'S SLIDING CONNECTOR SYSTEM.
3. CORNERS: NOTCH BASE ONLY AND FORM A CONTINUOUS CORNER.
4. PERMALOC STRUCTUREEDGE AS MANUFACTURED BY PERMALOC CORPORATION, HOLLAND MI.
(800) 356-9660,
(616) 399-9600
5. CONTRACTOR'S NOTE: FOR PRODUCT AND PURCHASING INFORMATION VISIT
WWW.PERMALOC.COM

PERMALOC STRUCTUREEDGE
ALUMINUM PAVER RESTRAINT

COMPACT GRADE
ADJACENT TO RESTRAINT

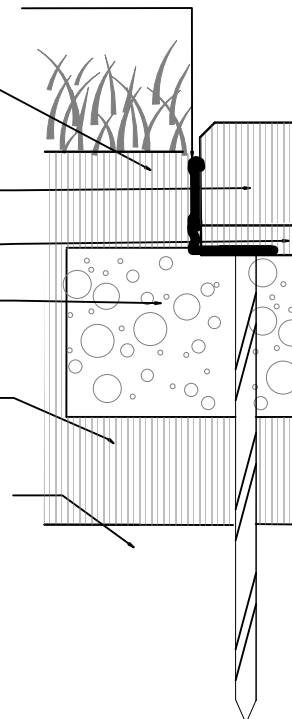
PAVER

SETTING COURSE

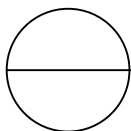
COMPACT BASECOURSE
EXTENDING 6" (152MM)
BEYOND RESTRAINT.

SUBGRADE

3/8" X 10" (9.5MM X 254MM)
SPIRAL STEEL SPIKE AT
12" (305MM) O.C. (TYP)
OR 4" (102MM) O.C. MIN.



**PAVER EDGE DETAIL
RESTRAINT UNDER PAVER INSTALLATION**



SCALE: 3"=1'-0"