


PERMALOC
STRUCTURE **EDGE**
 ALUMINUM PAVER RESTRAINT

PERMALOC CORPORATION, 13505 BARRY STREET HOLLAND, MI, 49424
 (800) 356-9660 PHONE: (616) 399-9600 fax: (616) 399-9770 WWW.PERMALOC.COM

ARCHITECT NOTE: CHECK OFF APPLICABLE SIZE & FINISH DESIRED:

SIZE: IN 8' (2.44M) LENGTHS

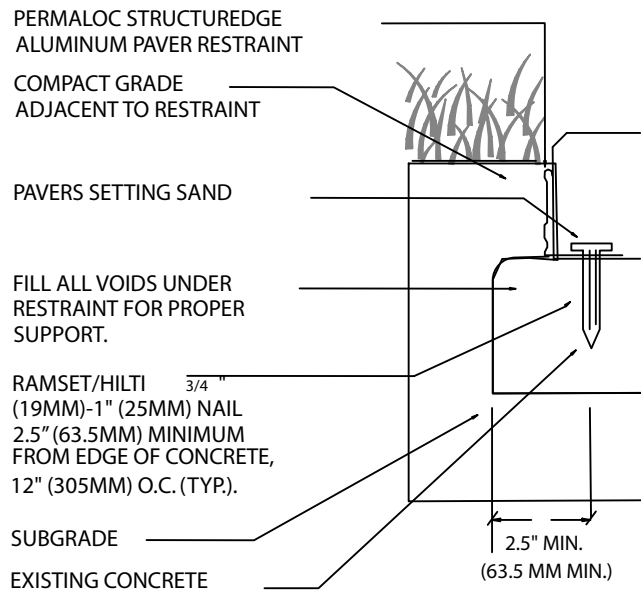
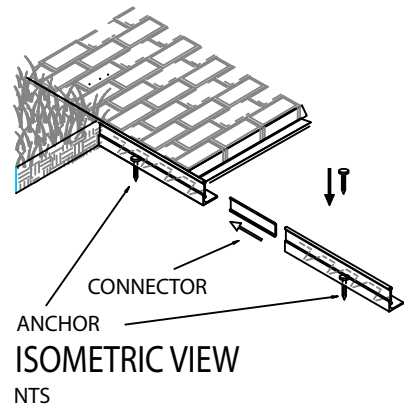
- | | |
|--|---|
| <input type="checkbox"/> 3/32" X 1 5/8" (2.4MM X 41MM)
w/ 0.170" (4.32MM) TOP LIP | <input type="checkbox"/> MF <input type="checkbox"/> BL |
| <input type="checkbox"/> 1/8" X 1 5/8" (3.2MM X 41MM)
w/ 0.190" (4.83MM) TOP LIP | <input type="checkbox"/> MF <input type="checkbox"/> BL |
| <input type="checkbox"/> 3/16" X 1 5/8" (4.8MM X 41MM)
w/ 0.210" (5.33MM) TOP LIP | <input type="checkbox"/> MF <input type="checkbox"/> BL |
| <input type="checkbox"/> 1/8" X 2 1/4" (3.2MM X 57MM)
w/ 0.190" (4.83MM) TOP LIP | <input type="checkbox"/> MF <input type="checkbox"/> BL |
| <input type="checkbox"/> 3/16" X 2 1/4" (4.8MM X 57MM)
w/ 0.210" (5.33MM) TOP LIP | <input type="checkbox"/> MF <input type="checkbox"/> BL |

FINISH LEGEND:

(MF) MILL FINISH-NATURAL ALUMINUM
 (BL) BLACK DURAFLEX-ELECTROSTATICALLY
 APPLIED BAKED ON PAINT MEETS AAMA 2603

NOTES:

- INSTALL PER MANUFACTURER'S "INSTALLATION GUIDELINES"
- CONNECTION BETWEEN SECTIONS TO UTILIZE MANUFACTURERS' SLIDING CONNECTOR SYSTEM.
- CORNERS: NOTCH BASE ONLY AND FORM A CONTINUOUS CORNER.
- PERMALOC STRUCTURE EDGE AS MANUFACTURED BY PERMALOC CORPORATION, HOLLAND MI.
(800) 356-9660,
(616) 399-9600
- CONTRACTOR'S NOTE: FOR PRODUCT AND PURCHASING INFORMATION VISIT WWW.PERMALOC.COM



PAVER EDGE DETAIL-OVER CONCRETE

SCALE: 3"=1'-0"